



E2SC Security Light

LED Roadway Lighting

The Evolve® LED Security Light provides energy efficiency in a rugged, easy to install, light weight fixture. Current's advanced optical design offers Type III and Type V photometry with the versatility of a field installable refractor option to meet your lighting requirements.



CONSTRUCTION

- Housing:** Aluminum die cast enclosure
- Lens:** Impact resistant tempered glass (non refractor version)
- Weight:** 8.5 lbs (3.8 kgs) without mounting bracket

Optical System

- Lumens:** 3,550 - 9,000 lm
- Distribution:** Type III, Type V and Type V Short
- Efficacy:** 108-161 LPW
- CCT:** 2700K, 3000K, 4000K
- CRI:** ≥70

Electrical

- Input Voltage:** 120-277V
- Input Frequency:** 50/60Hz
- Power Factor:** ≥ 0.9 at rated watts
- Total Harmonic Distortion:** ≤ 20% at rated watts

Surge Protection*

Standard	Optional
6kV/3kA	Secondary 10kV/5kA (R Option)
	Secondary 20kV/10kA (T Option)

*Per ANSI C136.2-2018

Controls

- Dimming:** Standard - 0-10V
Optional - DALI (Option U)
- Sensors:** Photo Electric Sensors (PE) available
LightGrid Compatible

Lumen Maintenance

Projected Lxx per IES TM-21 at 25°C

Optic	LXX(10K) @ Hours			
	Lumen Codes	25,000 HR	50,000 HR	60,000 HR
C6 Type III	08	93	86	83
	05, 06, 07	98	96	95
	04	99	99	99
V6 Type V	06, 07	93	89	87
	05	96	93	92
	04	96	94	93
S6 Type V Short	08, 09	94	91	89
	05, 06, 07	95	93	92
	04	96	95	94

Note: Projected Lxx based on LM80 (≥ 10,000 hour testing). Accepted industry tolerances apply to initial luminous flux and lumen maintenance measurements.

Ambient Temperature Factor

Ambient Temp (°C)	Initial Flux Factor	Ambient Temp (°C)	Initial Flux Factor
10	1.02	30	0.99
20	1.01	40	0.98
25	1.00		

Ratings

- Operating Temperature:** -40°C to 40°C
- Vibration:** 3G per ANSI C136.31-2010
- LM-79:** Tested in accordance with IES Standards
- EMI:** Title 47 CFR Part 15 Class A

Warranty

5 Year (Standard)

Ordering Information

E 2 S C 0

PROD. ID	VOLTAGE	LUMENS	DISTRIBUTION	REFRACTOR	CCT	CONTROLS PER ANSI C136.41	MOUNTING	POWER LEADS	OPTIONS
E = Evolve 2SC = Security Light	0 = 120-277V	04 = 4000 lm	C6 = Type III ¹	N = None (zero uplight)	27 = 2700K	A = 7-Pin Receptacle	N = None	N = None	C1 = Captive Door
		05 = 5000 lm	V6 = Type V	R = Factory Installed Refractor	30 = 3000K	D = 7-Pin Receptacle with Shorting Cap	L = Long 24 in. bracket ²	3 = 3 ft # 14 Leads	L = Tool-Less Entry
		06 = 6000 lm	S6 = Type V Short		40 = 4000K	E = 7-Pin Receptacle with Long Life Non-Dimming PE in Box		5 = 5 ft # 14 Leads	R = Secondary Surge Protection (10kV/5kA)
		07 = 7000 lm						8 = 8 ft # 14 Leads	T = Secondary Surge Protection (20kV/10kA) ³
		08 = 8000 lm							U = DALI Programmable ⁴
		09 = 9000 lm						XXX = Special Options	

¹ See ISO Plot page for the typical C6 distribution - this optic is designed to address a Roadway Photometric Application and is a Type III without the refractor, and Type IV with a refractor.

² For Mounting on Wood Pole

³ Contact Factory for T-surge availability

⁴ Compatible with LightGrid

LUMEN OUTPUT	DIST.	LUMENS			WATTAGE	BUG RATINGS - FLAT GLASS			BUG RATINGS - SAG REFRACTOR		
		4000K	3000K	2700K	120-277V	4000K	3000K	2700K	4000K	3000K	2700K
04	C6	4000	3800	3520	29	B1-U0-G1	B1-U0-G1	B1-U0-G1	B1-U3-G2	B1-U3-G2	B1-U3-G2
	V6	4000	3880	3760	30	B2-U0-G0	B2-U0-G0	B2-U0-G0	B2-U2-G1	B1-U2-G1	B1-U2-G1
	S6	4000	3880	3760	25	B2-U0-G0	B2-U0-G0	B2-U0-G0	B2-U2-G1	B2-U2-G1	B2-U2-G1
05	C6	5000	4750	4400	36	B1-U0-G1	B1-U0-G1	B1-U0-G1	B1-U3-G2	B1-U3-G2	B1-U3-G2
	V6	5000	4850	4700	39	B2-U0-G1	B2-U0-G0	B2-U0-G0	B2-U3-G1	B2-U3-G1	B2-U3-G1
	S6	5000	4850	4700	31	B2-U0-G0	B2-U0-G0	B2-U0-G0	B2-U2-G1	B2-U2-G1	B2-U2-G1
06	C6	6000	5700	5280	45	B1-U0-G2	B1-U0-G2	B1-U0-G2	B1-U3-G3	B1-U3-G3	B1-U3-G3
	V6	6000	5820	5640	49	B2-U0-G1	B2-U0-G1	B2-U0-G1	B2-U3-G1	B2-U3-G1	B2-U3-G1
	S6	6000	5820	5640	38	B3-U0-G0	B2-U0-G0	B2-U0-G0	B2-U2-G1	B2-U2-G1	B2-U2-G1
07	C6	7000	6650	6160	55	B2-U0-G2	B1-U0-G2	B1-U0-G2	B1-U3-G3	B1-U3-G3	B1-U3-G3
	V6	7000	6790	6580	61	B2-U0-G1	B2-U0-G1	B2-U0-G1	B2-U3-G1	B2-U3-G1	B2-U3-G1
	S6	7000	6790	6580	46	B3-U0-G1	B3-U0-G1	B3-U0-G1	B3-U3-G1	B3-U3-G1	B3-U3-G1
08	C6	8000	7410	6870	62	B2-U0-G2	B2-U0-G2	B1-U0-G2	B2-U3-G3	B1-U3-G3	B1-U3-G3
	S6	8000	7760	7520	54	B3-U0-G1	B3-U0-G1	B3-U0-G1	B3-U3-G1	B3-U3-G1	B3-U3-G1
09	S6	9000	8730	8460	63	B3-U0-G1	B3-U0-G1	B3-U0-G1	B3-U3-G1	B3-U3-G1	B3-U3-G1

For additional information on E2SC IES files, please click one of the following links:

[E2SC IES Files](#)



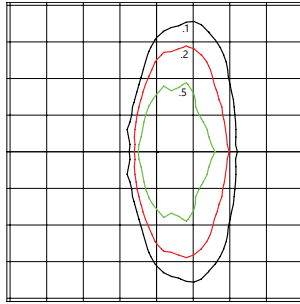
E2SC Security Light LED Roadway Lighting

E2SC

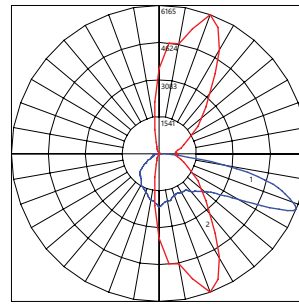
Type III - No Refractor
(08C6N40)

8,000 Lumens
4000K

E2SC_08C6N40_...IES



- Mounting Height at 30'
- Initial Footcandle Values at Grade



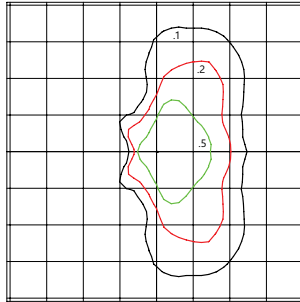
- Vertical plane through horizontal angle of Max. Cd at 70°
- Horizontal cone through vertical angle of Max. Cd at 68°

E2SC

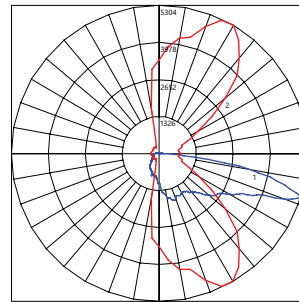
Type IV - Refractor
(06C6R40)

8,000 Lumens
4000K

E2SC_06C6R40_...IES



- Mounting Height at 30'
- Initial Footcandle Values at Grade



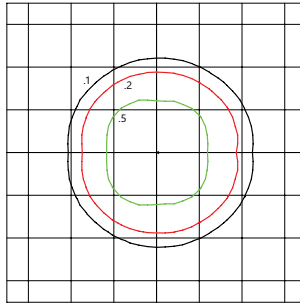
- Vertical plane through horizontal angle of Max. Cd at 60°
- Horizontal cone through vertical angle of Max. Cd at 73°

E2SC

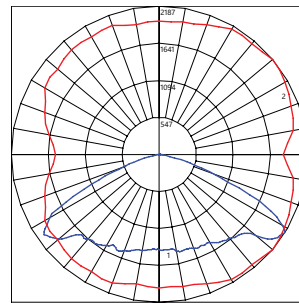
Type V - No Refractor
(07V6N40)

7,000 Lumens
4000K

E2SC_07V6N40_...IES



- Mounting Height at 30'
- Initial Footcandle Values at Grade



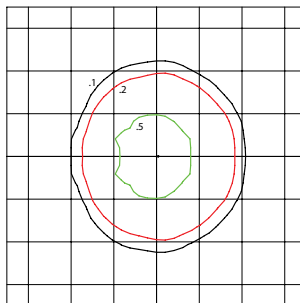
- Vertical plane through horizontal angle of Max. Cd at 40°
- Horizontal cone through vertical angle of Max. Cd at 58°

E2SC

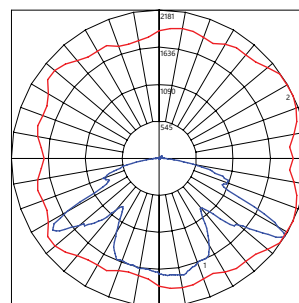
Type V - Refractor
(07V6R40)

7,000 Lumens
4000K

E2SC_07V6R40_...IES



- Mounting Height at 30'
- Initial Footcandle Values at Grade



- Vertical plane through horizontal angle of Max. Cd at 25°
- Horizontal cone through vertical angle of Max. Cd at 58°

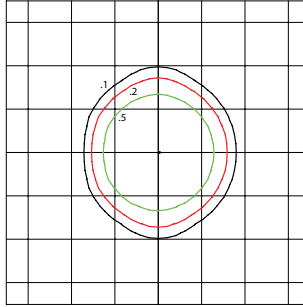
E2SC Security Light LED Roadway Lighting

E2SC

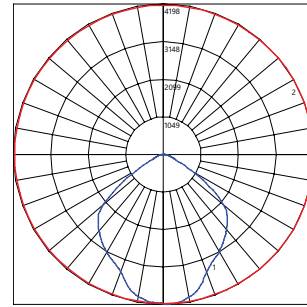
Type VS - No Refractor
(09S6N40)

9,000 Lumens
4000K

E2SC_09S6N40_...IES



- Mounting Height at 30'
- Initial Footcandle Values at Grade



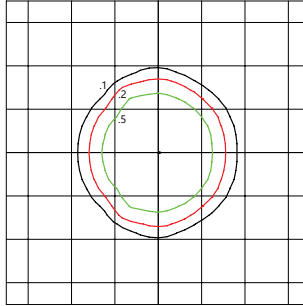
- Vertical plane through horizontal angle of Max. Cd at 70°
- Horizontal cone through vertical angle of Max. Cd at 68°

E2SC

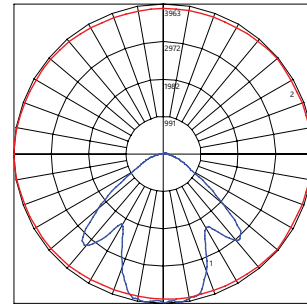
Type VS - Refractor
(09S6R40)

9,000 Lumens
4000K

E2SC_09S6R40_...IES



- Mounting Height at 30'
- Initial Footcandle Values at Grade



- Vertical plane through horizontal angle of Max. Cd at 60°
- Horizontal cone through vertical angle of Max. Cd at 73°

CUSTOMER NAME _____

PROJECT NAME _____

DATE _____ TYPE _____

CATALOG NUMBER _____



House Side Shield - E2SC/ERLC

DESCRIPTION
ELSHS-ERLC-BLCK
ELSHS-ERLC-GRAY

*E2SC shields are designed for Flat Glass Versions only.

Street Side Shield - E2SC/ERLC

DESCRIPTION
ELSFS-ERLC-BLCK-10
ELSFS-ERLC-BLCK-15
ELSFS-ERLC-BLCK-20

*E2SC shields are designed for Flat Glass Versions only.

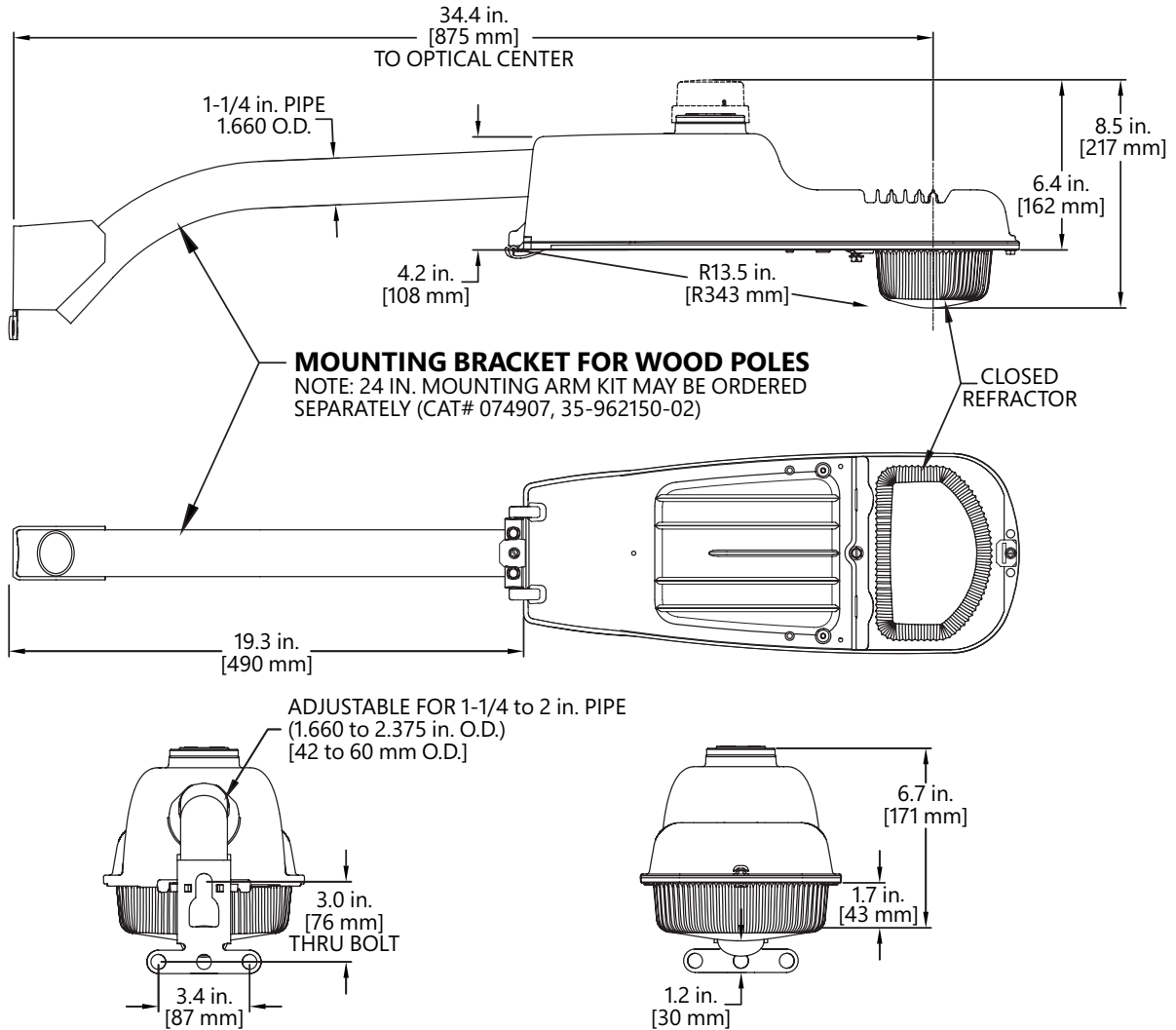


Side Shield (L & R) - E2SC/ERLC

DESCRIPTION
ELS-ERLC-LEFTRIGHTSIDEKIT-BLCK-10
ELSHS-ERLC-GRAY

Shipped as a kit - L & R can be used independently
*E2SC shields are designed for Flat Glass Versions only.

E2SC Security Light LED Roadway Lighting



Mounting

- Suggested Mounting Height: 12-28 ft. (4-8 M)
- Adjustable for 1.25 to 2 in. nominal mounting pipe
- Integral diecast mounting pipe stop
- Slipfitter with +/- 5 degrees of leveling adjustment

Effective Projected Area

- 0.38 sq ft.

Weight

- Approximate net weight: 8.5 lbs (3.8 kgs) without mounting bracket.
- With 24 in. (61 cm) Mounting Bracket: 13.4 lbs (6.1 kgs)

Accessories

PART NUMBER	DESCRIPTION
35-962150-02	24 in. Mounting Arm Kit for Wood Poles
ESR-E2SC-A	Field Installable Refractor Kit

Networked Lighting Control



Current's LightGrid™ Outdoor Lighting Control System is designed for Street and Roadway Applications. It enables remote monitoring, control, and asset management of a single fixture or a group of fixtures through a web enabled Central Management System.